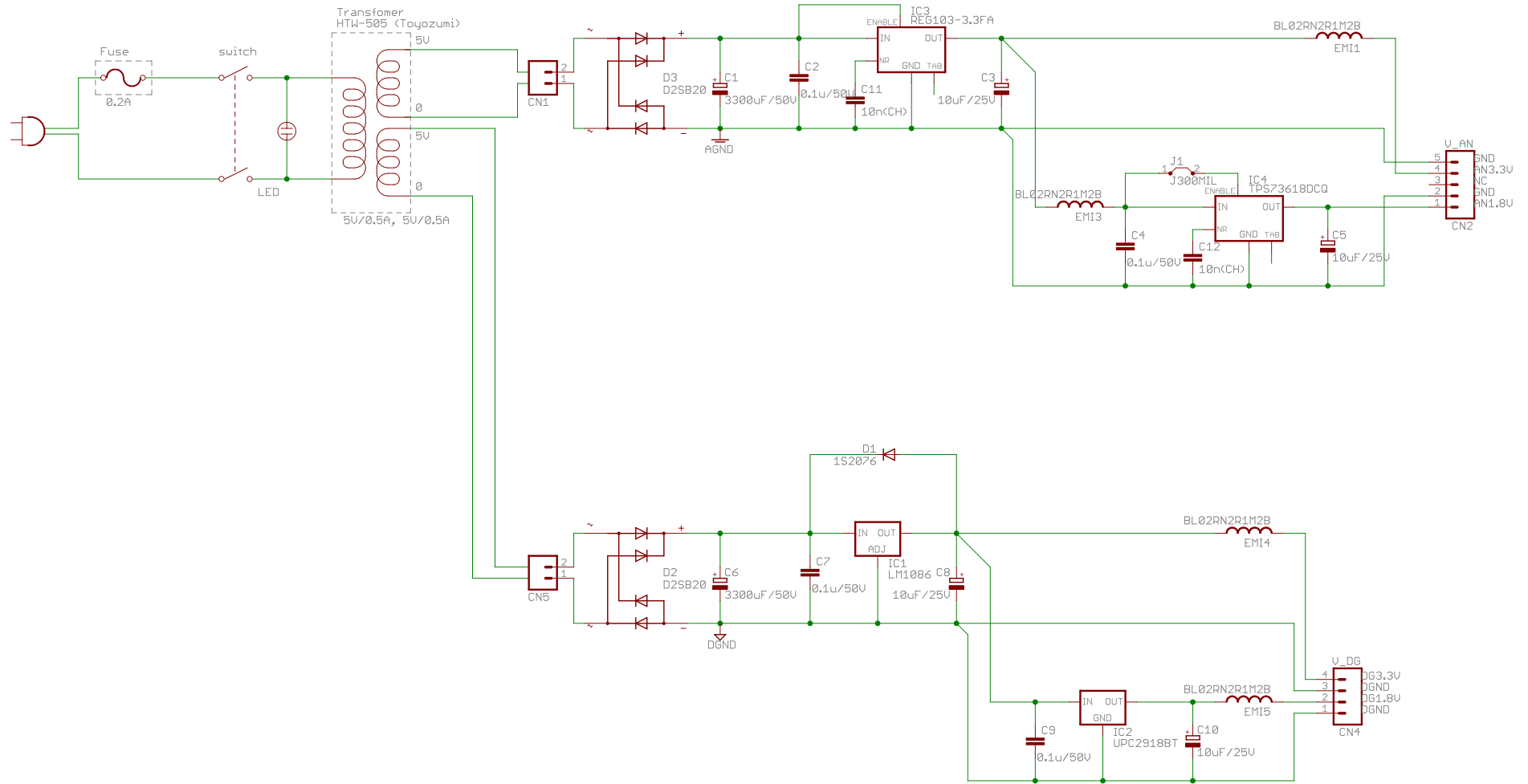


+3.3V&+1.8V/1A Power Supply (for AD9910/PCBZ)



w3.3V&1.8V-025A×2
 2010/06/15 20:23:33
 Sheet: 1/1